

Summon Smoky Flavours with Our Dedicated Radiant Char Grills

Cook Rite
TO COOK NICELY!

FEATURES

- Heavy duty constructed frame
- Heavy duty burners and standby pilots
- Flame failure
- Constructed in 304 stainless steel
- 3/4 inch pipe gas inlet
- Stainless steel burners
- Stainless steel splash back
- Heavy duty black cast-iron grill to cook on
- Removable drip tray
- Manual controls
- Piezo ignition to all burners
- Independent burner controls
- Available in NG and LPG
- Corrosion resistant, easy to maintain and keep clean



AT80G3C-F



AT80G6C-F



AT80G9C-F

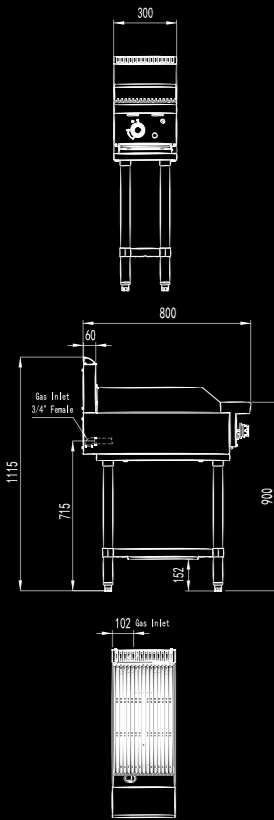
2 YEARS WARRANTY ON ALL PARTS AND LABOUR
EXTRA 2 YEARS WARRANTY ON PARTS WHEN YOU REGISTER WITH US ONLINE



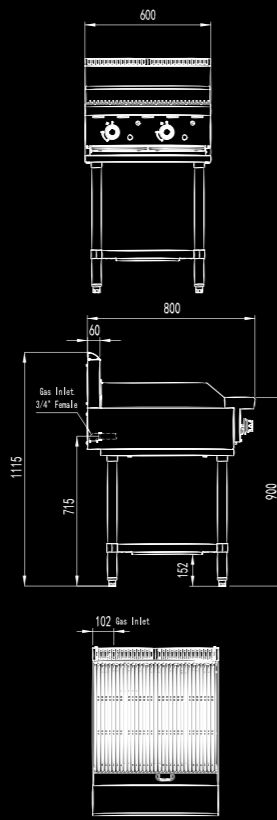
AUSTRALIA AND NEW ZEALAND
GAS SAFETY CERTIFICATION
SAI-400248 AS 4563:2004 SAI Global

800 SERIES RADIANT CHAR GRILLS

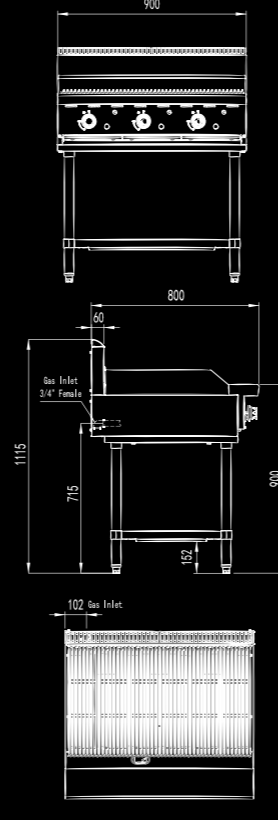
AT80G3C-F



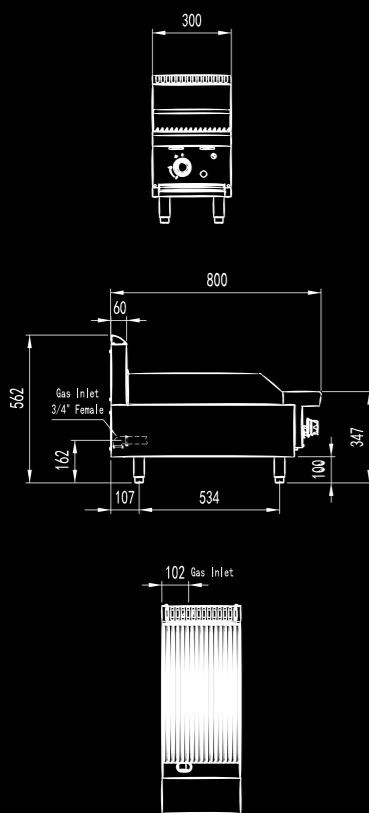
AT80G6C-F



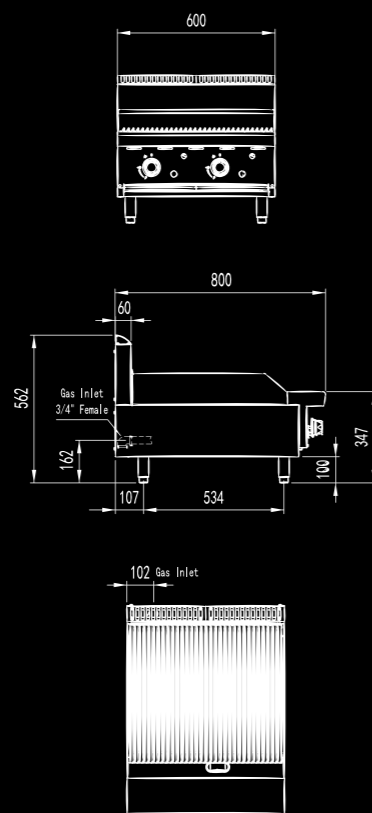
AT80G9C-F



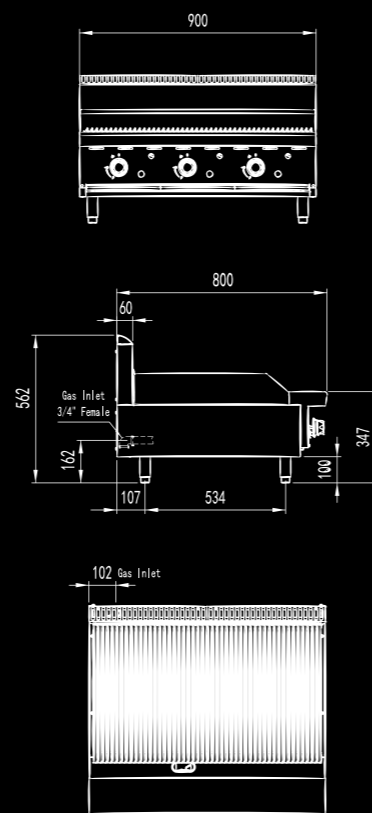
AT80G3C-F



AT80G6C-F



AT80G9C-F



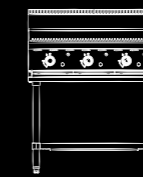
AT80G3C-F

Gas Type	NG/LPG
Gas Output per Burner Mj/h	NG: 26.5 / LPG:24
Total Power Output Mj/h	NG: 26.5 / LPG:24
Dimensions(mm)	W300 x D800 x H1115, 48.4kg
Packaging Dimensions(mm)	W395 x D875 x H640, 69.2kg



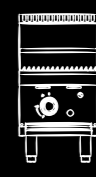
AT80G6C-F

Gas Type	NG/LPG
Gas Output per Burner Mj/h	NG: 26.5 / LPG:24
Total Power Output Mj/h	NG: 53 / LPG:48
Dimensions(mm)	W600 x D800 x H1115, 78.2kg
Packaging Dimensions(mm)	W695 x D875 x H640, 107.2kg



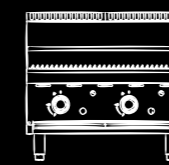
AT80G9C-F

Gas Type	NG/LPG
Gas Output per Burner Mj/h	NG: 26.5 / LPG:24
Total Power Output Mj/h	NG: 79.5 / LPG:72
Dimensions(mm)	W900 x D800 x H1115, 110kg
Packaging Dimensions(mm)	W995 x D875 x H640, 148.3kg



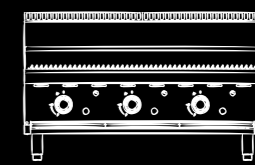
AT80G3C-C

Gas Type	NG/LPG
Gas Output per Burner Mj/h	NG: 26.5 / LPG:24
Total Power Output Mj/h	NG: 26.5 / LPG:24
Dimensions(mm)	W300 x D800 x H562, 41kg
Packaging Dimensions(mm)	W395 x D875 x H640, 56.4kg



AT80G6C-C

Gas Type	NG/LPG
Gas Output per Burner Mj/h	NG: 26.5 / LPG:24
Total Power Output Mj/h	NG: 53 / LPG:48
Dimensions(mm)	W600 x D800 x H562, 69kg
Packaging Dimensions(mm)	W695 x D875 x H640, 94.2kg



AT80G9C-C

Gas Type	NG/LPG
Gas Output per Burner Mj/h	NG: 26.5 / LPG:24
Total Power Output Mj/h	NG: 79.5 / LPG:72
Dimensions(mm)	W900 x D800 x H562, 98kg
Packaging Dimensions(mm)	W995 x D875 x H640, 128kg

