

Pro Series Pie & Food Displays W.PIM60

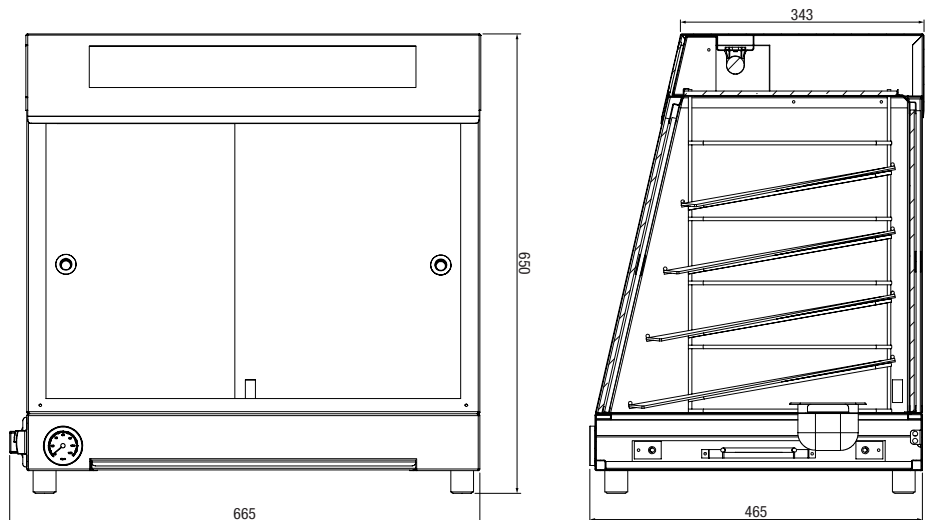


Product Information:

- Steel construction with black powder coated finish
- Toughened glass sliding doors to front & back
- Removable angled chrome wire racks (4 off)
- Top light box for branding (branding not included)
- Full internal lighting for improved display
- Separate illuminated power & light switches
- Mechanical thermostat control with temperature gauge
- Removable stainless steel crumb tray & element guard
- Includes humidity tray to keep product moist
- Designed to hold product between 70°C - 80°C
- Product must be heated above 65°C prior to display

Specifications:

Model	W.PIM60
Height	650mm
Width	665mm
Depth	465mm
Power	1.5kW
	10A Plug & lead fitted
*Capacity	60 Pies



*Capacity is indicative only. Depends on size of product used
Due to continuous product research and development,
the information contained herein is subject to change without notice.

Revision: B - 25/05/2022 - 01

www.stoddart.com.au

www.stoddart.co.nz